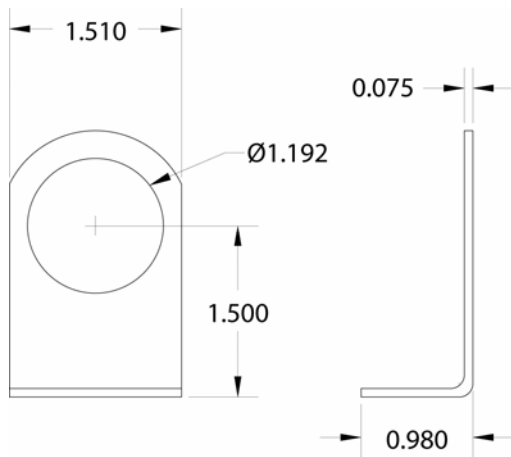


# Product APPLICATION Guide

## ACCESSORIES FOR PANEL MOUNT ALARMS

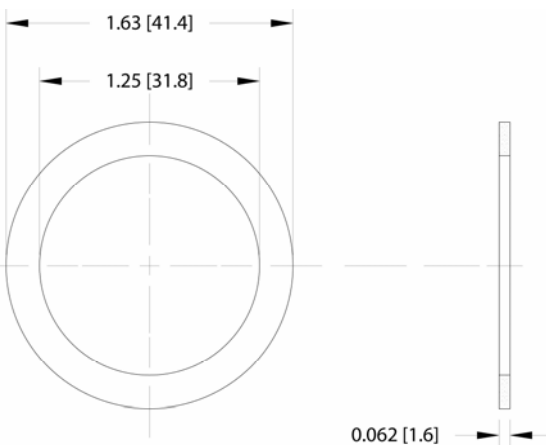


### ACC01 (NEW)

#### Aluminum "L" Bracket

##### Features

- Use to Externally Install Panel Mount Alarms
- Compatible with Most Mallory Sonalert Panel Mount Alarms



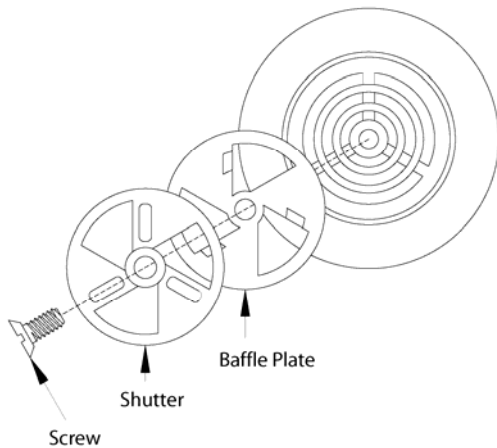
### ACC03 (NEW)

#### NEMA-IP Sealing Gasket

##### Features

- Use for NEMA 3R, 4X, or 12, or IP-66 Applications
- UL & C-UL Approved
- Fits Most Mallory Sonalert Panel Mount Alarms



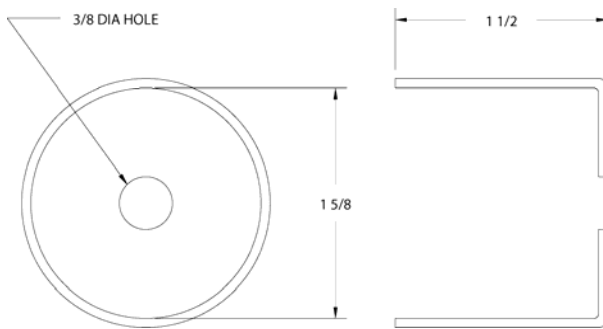


## SCVC Manual Sound Baffle



### Features

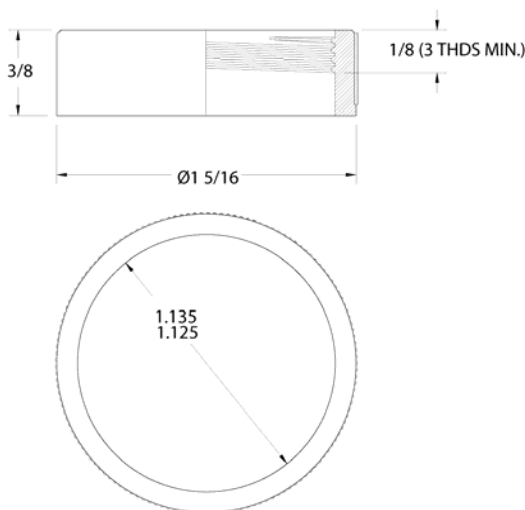
- Mounts to the Front of the Panel Alarm.
- Manually Adjust Sound Level 10 to 20 dB Lower
- Use with SC or SCE Series



## RSB1 Electrical Insulating Boot

### Features

- Covers Back of Alarm to Prevent Electric Shock or Shorting
- Especially Recommended for 48, 120, and 250 Vac Rated Models
- Use with SC Series Alarms



## BNR1; CNR1; PNR1 Knurled Panel Nuts



### Features

- Fits SC & SCE Series Alarms
- BNR1: Anodized Black Aluminum
- CNR1: Anodized Clear Aluminum
- PNR1: Black Plastic